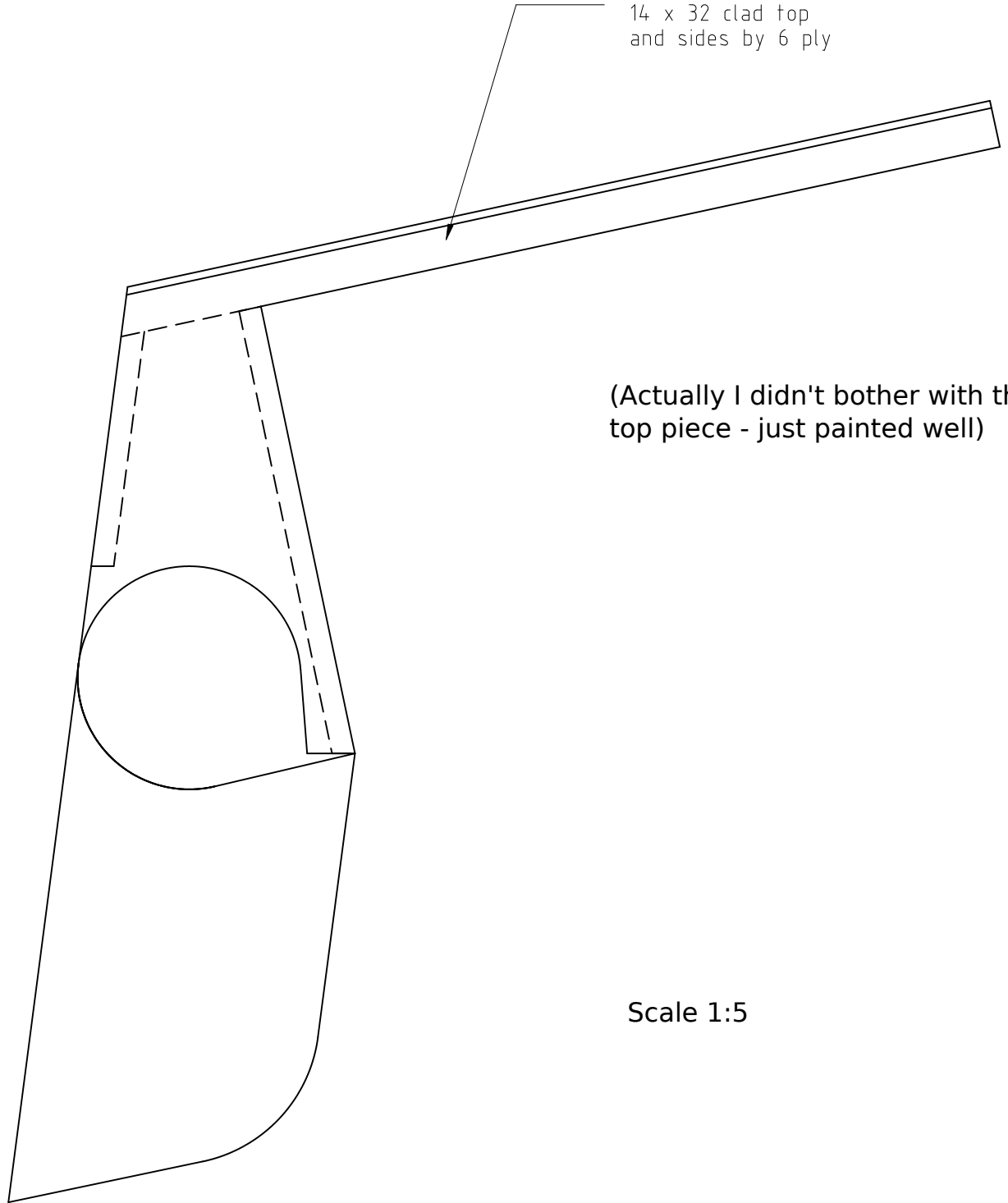
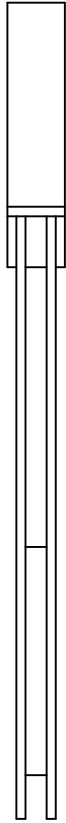


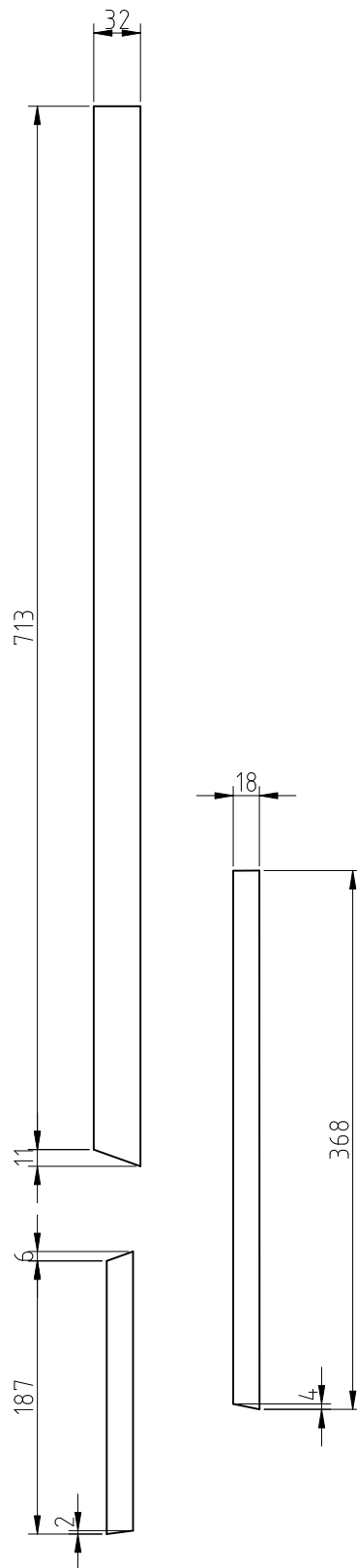
Tiller and rudder box  
Rear View



14 x 32 clad top  
and sides by 6 ply

(Actually I didn't bother with the  
top piece - just painted well)

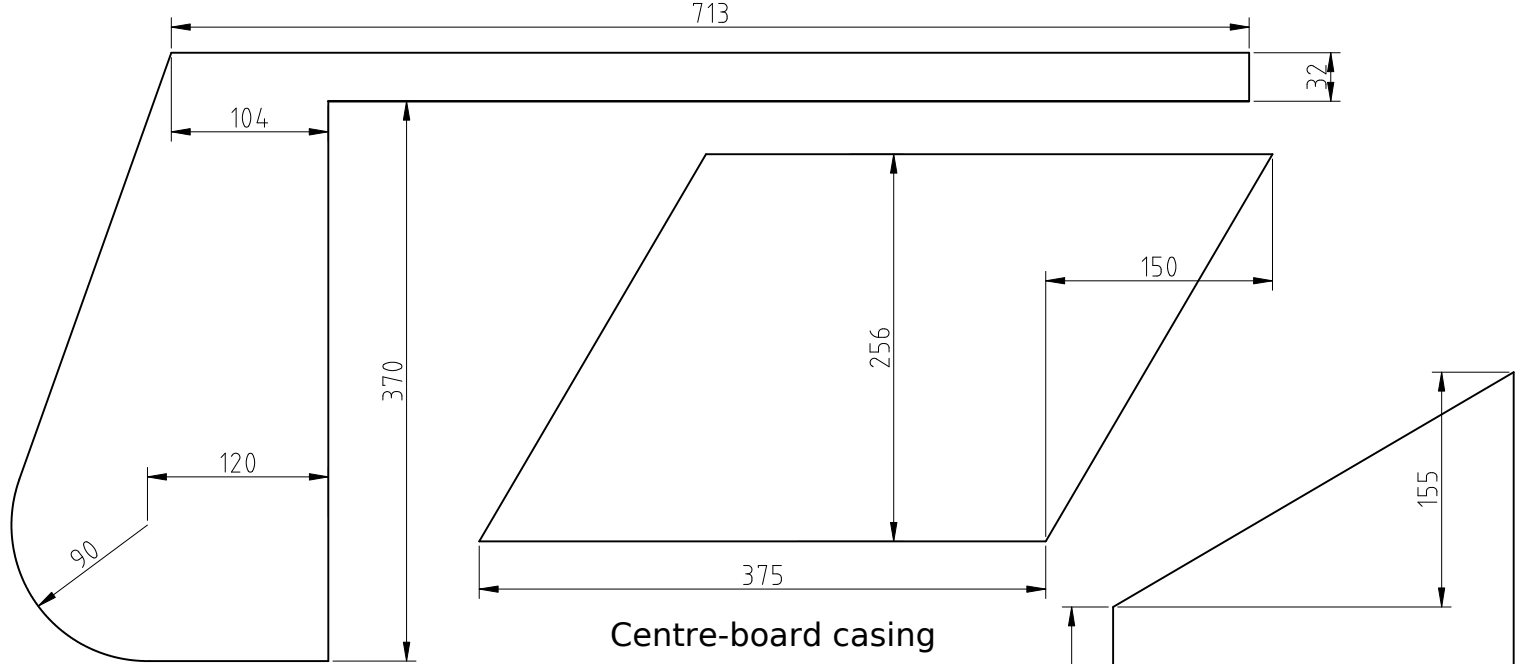
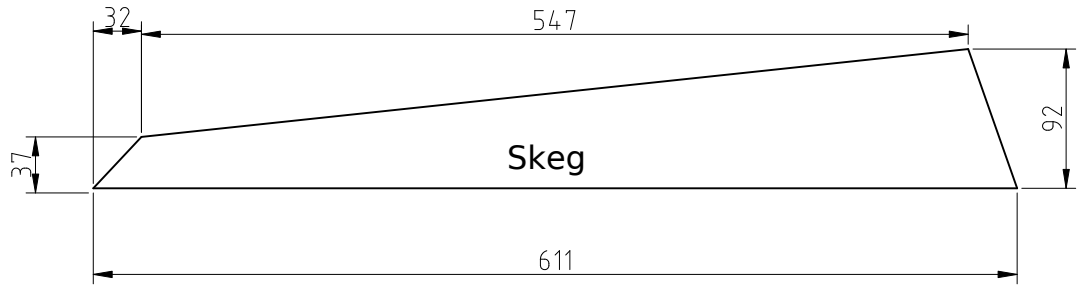
Scale 1:5



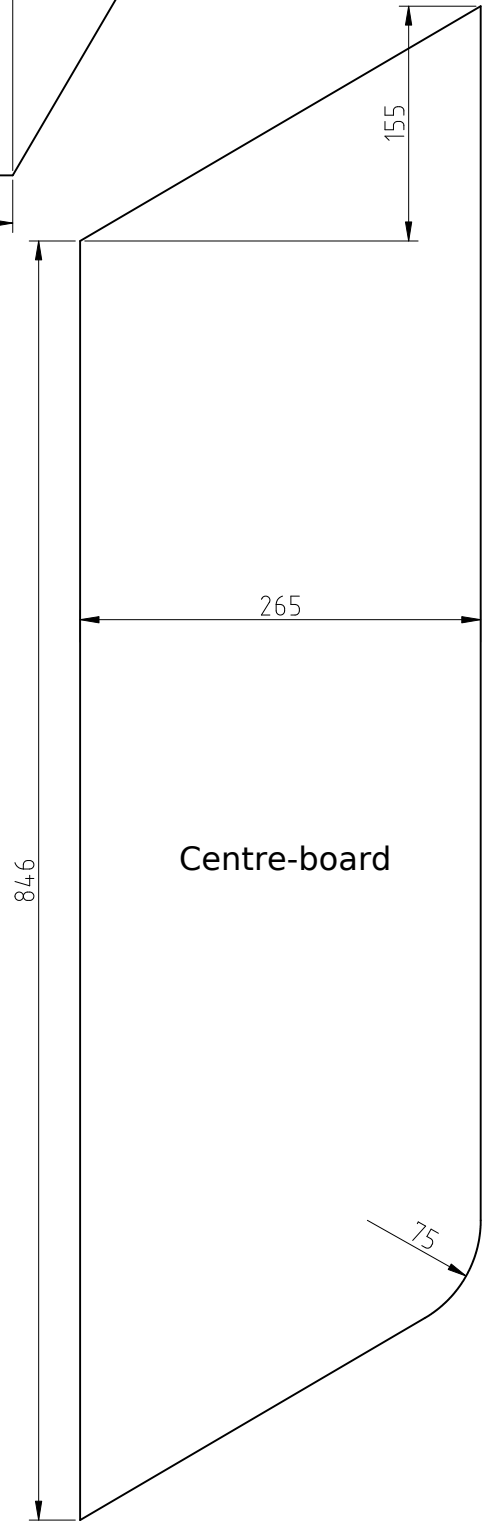
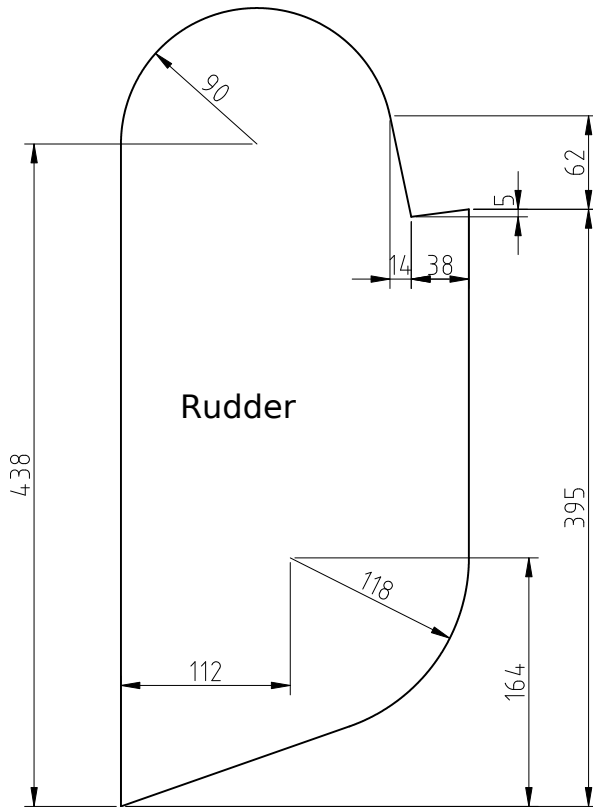
These are the logs that form the tiller core, and the spacers for the rudder box.

Scale 1:5

Scale 1:5



Tiller/Rudder Box walls x 2



I made the rudder by cutting 2 pieces as above from 6mm ply and epoxy gluing together

Ditto the centre-board