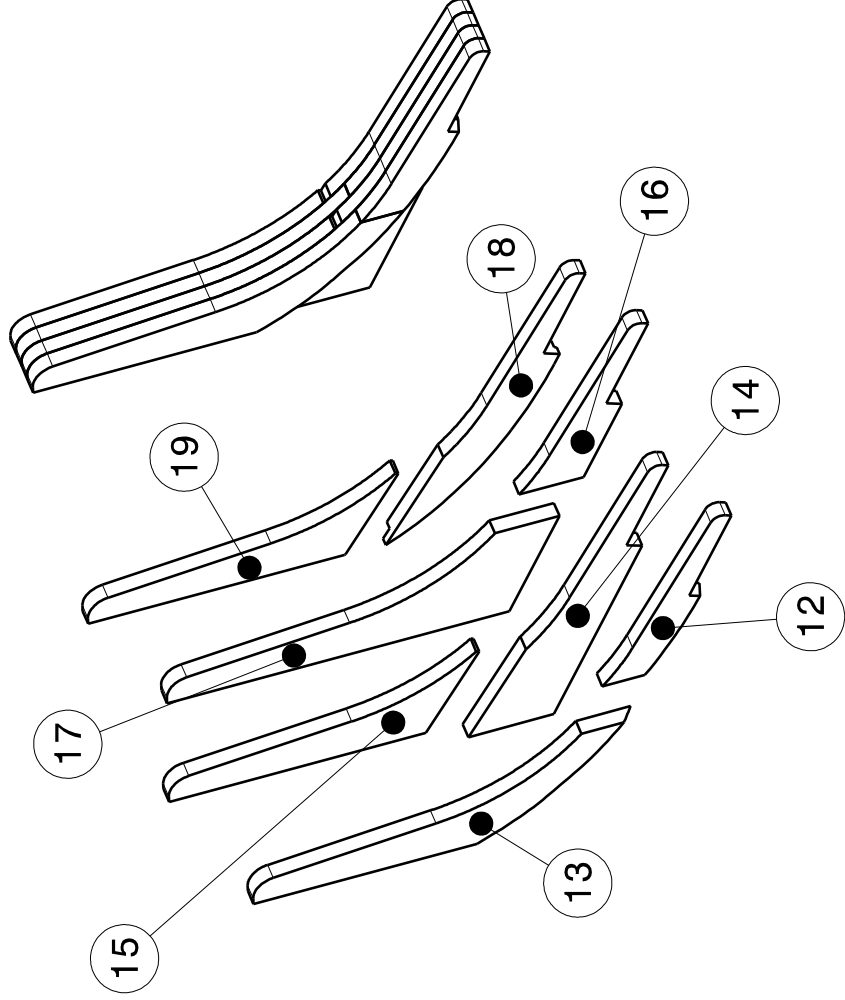
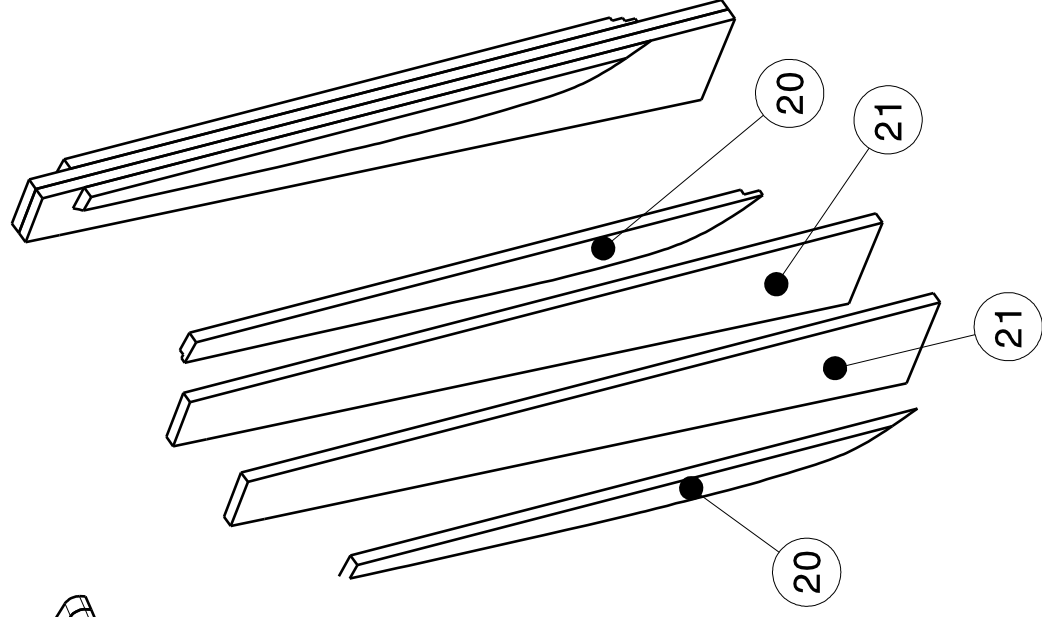


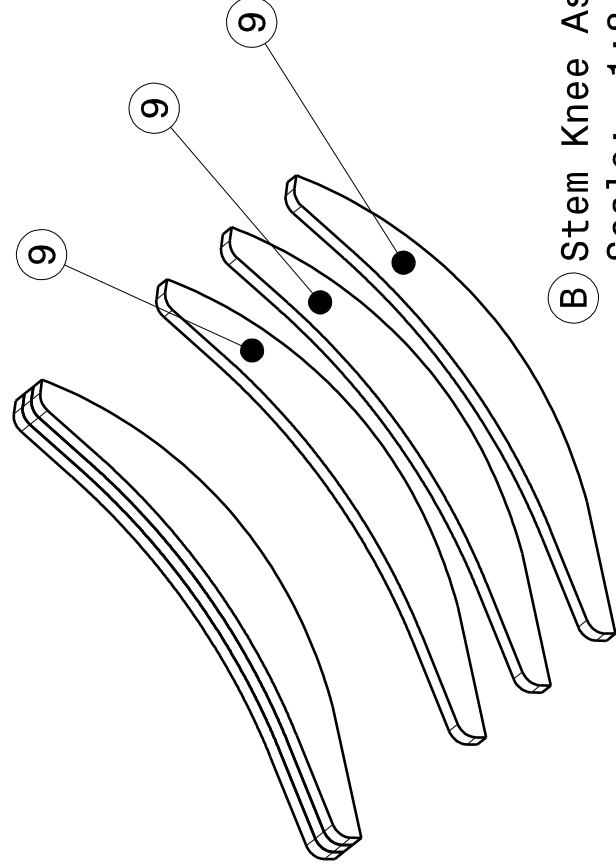
**A Stem Assy**  
Scale: 1:8



**D Stern Knee Assy**  
Scale: 1:8



**E Sternpost Assy**  
Scale: 1:8



**B Stem Knee Assy**  
Scale: 1:8

ASSEMBLIES ON THIS PAGE GLUED  
WITH SUPERGLUE OR OTHER APPROPRIATE  
MODEL GLUE

CLAMP AS NECESSARY

DIMENSIONS ARE IN MILLIMETERS UNLESS OTHERWISE NOTED:		MATERIAL/VENDOR	
TOL	FINE	X	THIRD ANGLE PROJECTION
+	+	XX	BREAK ALL EDGES .1-.9
X	+	.XXX	MAX. FILLET RADIUS .1mm
X	+	.XXX	ENGR PAULIC
DRWN	PAULIC	USED ON DWG	WEIGHT (kg) 0.00
SCALE 1:8	DATE	SHEET 2	OF 15
DRAWING NO.		REV	

ALL INFORMATION CONTAINED IN THIS DRAWING IS PROPRIETARY TO ELECTROIMPACT INC. AND SHALL BE USED OR DISTRIBUTED ONLY WITH THE WRITTEN PERMISSION OF ELECTROIMPACT INC.  
PART NAME