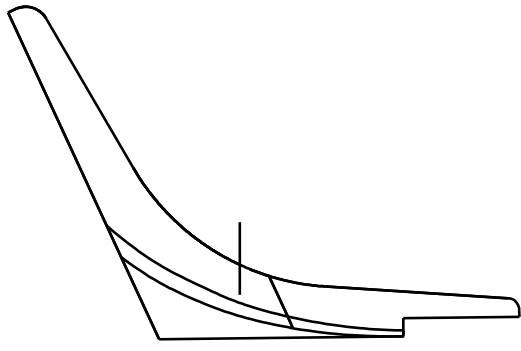


MARK THESE LOCATIONS ON KEEL, HOG-PIECE, AND STERN KNEE  
PRIOR TO GLUE-UP.



A

B

D

E

11

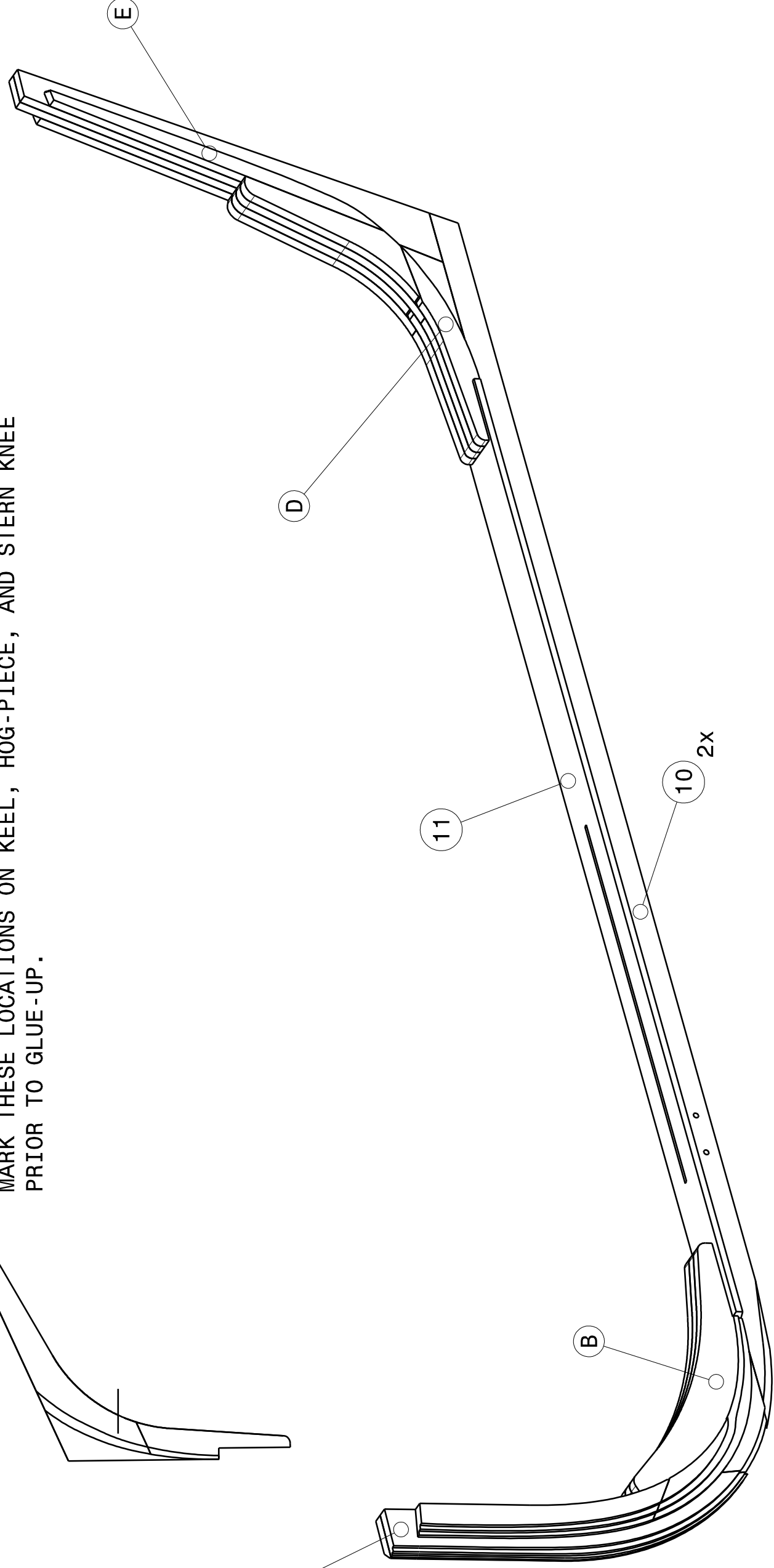
10

2X

Backbone Assy  
Scale: 1:8

GLUE ASSEMBLIES A, B, D, E, KEEL, AND HOG-PIECE  
WITH SUPERGLUE OR OTHER MODEL GLUE

RESTRAIN AS NECESSARY TO MAINTAIN ALIGNMENT



DIMENSIONS ARE IN MILLIMETERS UNLESS OTHERWISE NOTED:		MATERIAL/VENDOR	
TOL	FINE	✓	PAULIC
GRP	X	THIRD ANGLE PROJECTION	
X	.XX	BREAK ALL EDGES .1-.9	
X	.XXX	MAX. FILLET RADIUS .1mm	
X	.XXX		
DRWN	PAULIC	ENGR	PAULIC
USED ON DWG		WEIGHT (kg)	0.00
SCALE 1:8	DATE	SHEET	3 OF 15
DRAWING NO.		REV	

ALL INFORMATION CONTAINED IN THIS DRAWING IS PROPRIETARY TO ELECTROIMPACT INC. AND SHALL BE USED OR DISTRIBUTED ONLY WITH THE WRITTEN PERMISSION OF ELECTROIMPACT INC.  
PART NAME